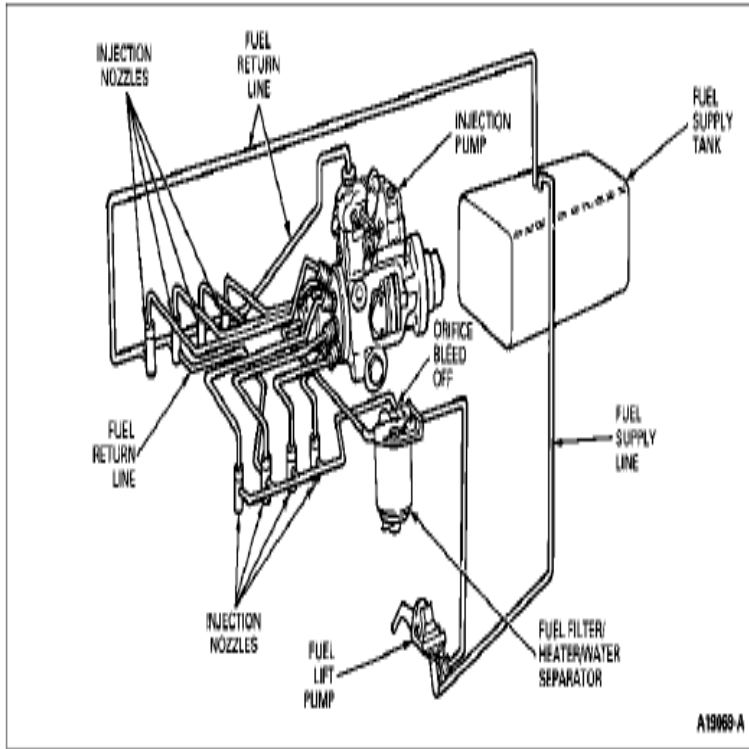


Diesel Engine And Fuel System Repair



A market leader, this text by Dagle & Brady is considered the most current and comprehensive book on diesel engine technology and fuel system repair. With a .One of the only references of its kind to devote chapters to the intricacies of electrical equipment in diesel engine and fuel system repair, this.Available in: Hardcover. This cutting-edge manual incorporates the latest in diesel engine technology, giving readers a solid introduction to the.Introduction. 2. Diesel Engine Operating Fundamentals. 3. Understanding Horsepower and Related Terms. 4. Combustion Systems. 5. Engine.If all diesel engines had nearly identical fuel system trouble, diagnosis and maintenance procedures could follow a general pattern. But, with the exception of.Below are some images we have of our customer's fuel systems that weren't maintained correctly. Our expertise with diesel engines and fuel.components of the diesel fuel system and how they operate so you may better maintain or have the knowledge to repair a diesel engine. Objectives. When you .17 Jan - 6 min - Uploaded by TechTrixInfo More details visit: libertinelondoner.com Working of Fuel Injection Pump (FIP). This fuel.24 Jun - 1 min - Uploaded by Mercedessource Very short video I made today when I came across some drips on the shop floor when pulling in.22 Mar - 18 min - Uploaded by King ABS This method is called: Closed Circuit/Circulation. It means that the fuel is runing from the.Your Leader in Fuel Injection Repair and Replacement. Schedule Service. Our Services. General Repair; Engine Overhauls; Diesel Pumps & Injectors; Parts &.For fuel injection services and testing and all diesel engine maintenance to test and repair most modern diesel fuel injection systems and turbo chargers.

[\[PDF\] The Sicilian Labyrinth](#)

[\[PDF\] Intervention Or Neglect: The United States And Central America Beyond The 1980s](#)

[\[PDF\] Why Do I Have To Think Like A Man: How To Think Like A Lady And Still Get The Man](#)

[\[PDF\] Law And Banking](#)

[\[PDF\] The First Report Of The Upper Canada Clergy Society, For Sending Out Clergymen, &c. To That Province](#)

[\[PDF\] Biographical Register Of The South Australian Parliament, 1857-1957](#)

[\[PDF\] Student Nurse Handbook: Difficult Concepts Made Easy](#)